

Table 2.3:
Engine specifications for the Geoprobe® Model 7822DT.

| | | |
|---|---------------------------------|---------------------|
| Engine Type | Kubota® 4-Cylinder Turbo Diesel | |
| Engine Power (gross intermittent - SAE J1995) | 59.0 hp @ 2,700 rpm | 44.0 kW @ 2,700 rpm |
| Engine Power (net continuous - SAE J1349) | 47.9 hp @ 2,700 rpm | 35.8 kW @ 2,700 rpm |
| Cooling System | Liquid | |
| Fuel Capacity (diesel) | 17 gal. | 64 L |
| Oil Capacity | 2.5 gal. | 9.5 L |

Table 2.4:
Hydraulic hammer specifications for the Geoprobe® Model 7822DT.

| | | |
|--|-----------|---------|
| Hammer System | GH64 | |
| Percussion Rate | 32 Hz | |
| Torque - Clockwise Rotation* (Low Torque / High Speed) (High Torque / Low Speed) | 225 ft-lb | 305 N-m |
| | 450 ft-lb | 310 N-m |
| Speed - Clockwise Rotation* (Low Speed / High Torque) (High Speed / Low Torque) | 0-250 rpm | |
| | 0-500 rpm | |
| Torque - Counterclockwise Rotation* | 600 ft-lb | 813 N-m |

*Rotation direction as viewed from shaft end.

Table 2.5:
Optional accessories specifications for the Geoprobe® Model 7822DT.

| | | |
|---|-------------|------------|
| Hydraulic Winch Rating | 2,350 lb | 1066 kg |
| Hydraulic Winch Speed | 0-126 fpm | 0-38 m/min |
| GA4000 Augerhead - Torque (Low Torque / High Speed) (High Torque / Low Speed) | 2,000 ft-lb | 2712 N-m |
| | 4,000 ft-lb | 5423 N-m |
| GA4000 Augerhead - Speed (Low Speed / High Torque) (High Speed / Low Torque) | 0-95 RPM | |
| | 0-150 RPM | |

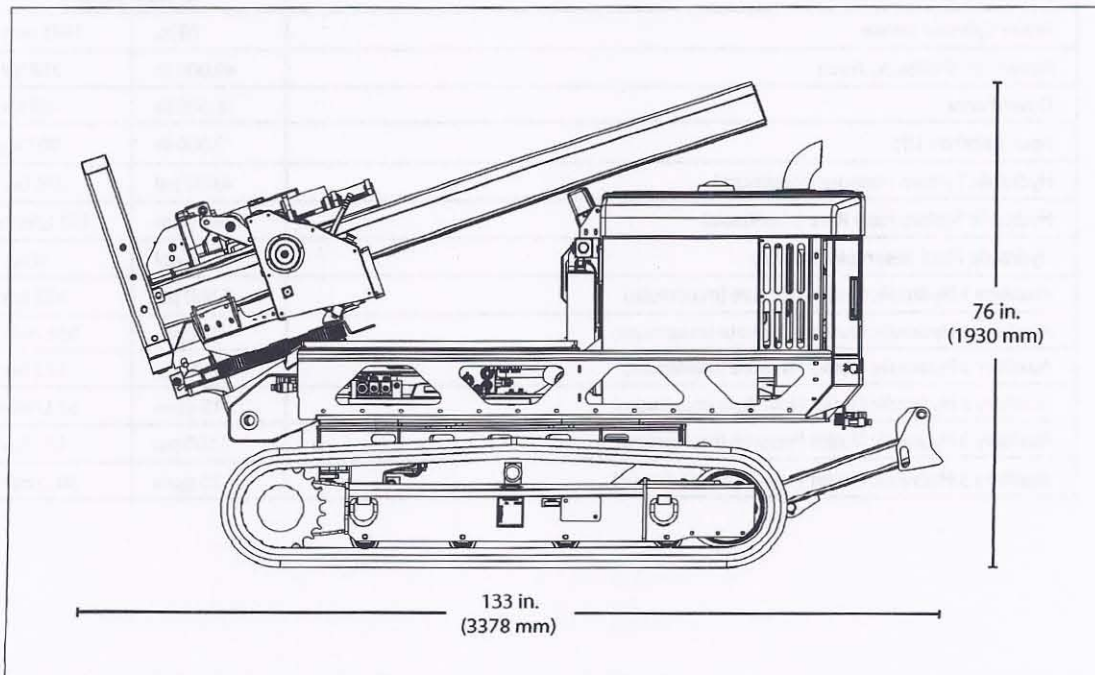


Figure 2.1: Geoprobe® Model 7822DT -- Probe derrick folded for transport, side view.

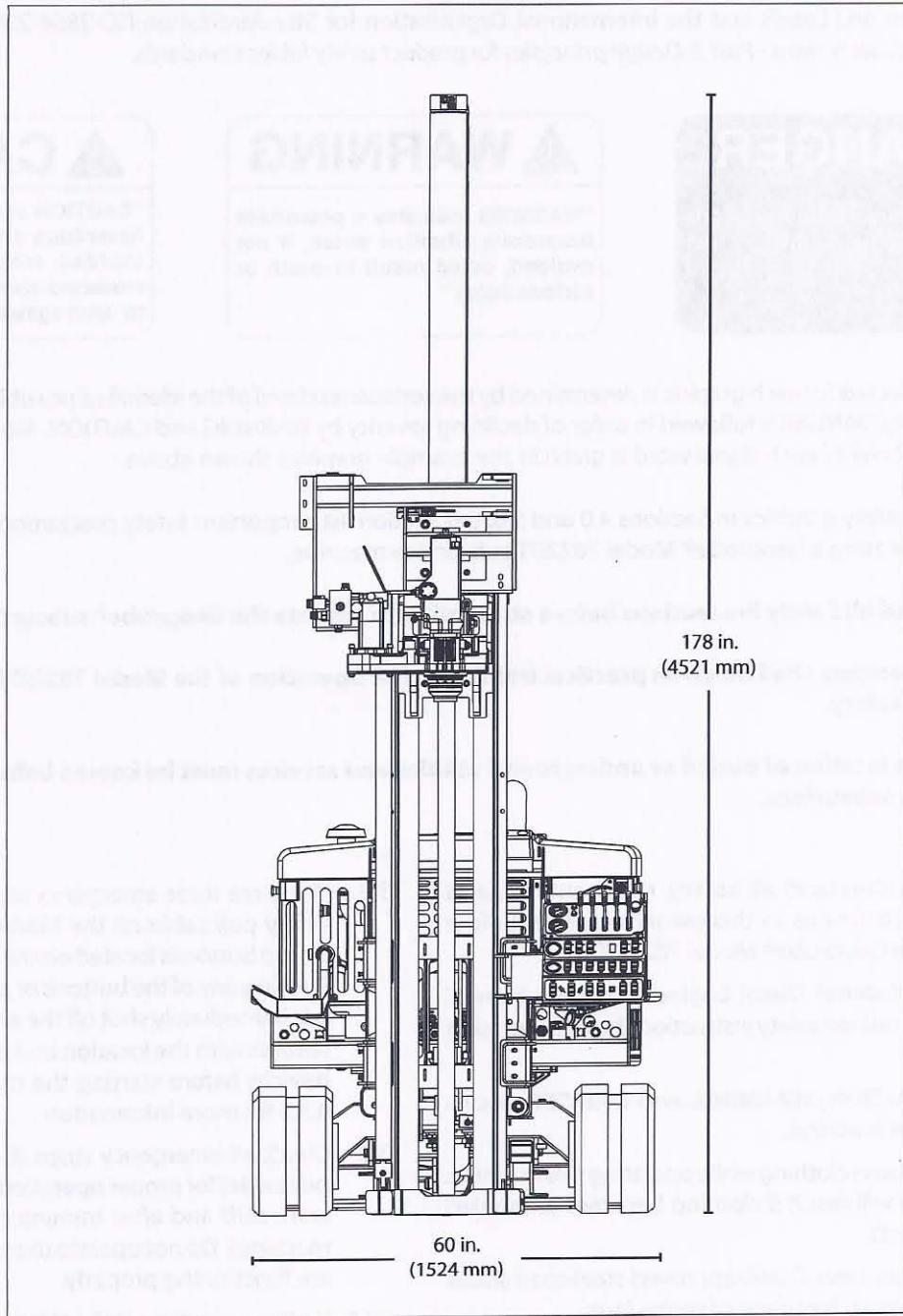



Figure 2.2: Geoprobe® Model 7822DT -- Probe derrick unfolded for work, front view.



EC Declaration of Conformity

I do hereby declare that the Geoprobe® Model 7822DT drill rig, cited below, conforms to the requirements of EC Directives 2000/14 and 2006/42.


Ryan J. Kejr
Product Engineer
Geoprobe Systems®

Salina, KS 11/2/2011
Place and date of signature

| Product | | | |
|--|--|--|--|
| Equipment⁽¹⁾: | Drill rig for percussive or rotary drilling. Not for rotary percussive drilling. | | |
| Manufacturer's Trade Name: | Geoprobe® Model 7822DT | | |
| Type: | Machine for environmental and geotechnical investigations | | |
| Serial Number: | Z11269T7822 | | |
| Net Installed Power⁽²⁾: | 35.8 kW (47.9 hp) @ 2700 rpm | | |
| Article 12 Equipment?⁽³⁾: | No. The equipment (drill rig) is listed in Article 13. | | |
| ⁽¹⁾ As defined in Directive 2000/14/EC, Annex I, Item 17 | | | |
| ⁽²⁾ SAE net continuous power (SAE J1349) | | | |
| ⁽³⁾ Drill rigs are listed in Directive 2000/14/EC, Article 13 and are therefore subject to noise marking only | | | |
| Manufacturer | | Distributor | |
| Name: | Geoprobe Systems® | Geoprobe Environmental Technologies, s.a./n.v. | |
| Address: | 1835 Wall Street Salina, Kansas 67401 USA | Rue Bruyère St. Jean, 104 1410 Waterloo Belgium | |
| Telephone and Fax: | 785-825-1842 (TEL) 785-825-2097 (FAX) | 32-(0)2-351 35 82 (TEL) 32-(0)475-41 30 07 (GSM) 32-(0)2-351 35 90 (FAX) | |
| E-mail: | info@geoprobe.com | michel.rogge@geoprobe.be | |
| Web Site: | www.geoprobe.com | www.geoprobe.be | |
| VAT: | (NA) | BE 452 895 968 | |

The machine specified on Page 1 conforms to the following directives:

- 2000/14/ECDirective of the European Parliament and of the Council of 8 May 2000 on the approximation of the laws of the Member States relating to the noise emission in the environment by equipment for use outdoors.
- 2006/42/ECDirective of the European Parliament and of the Council of 17 May 2006 on machinery, and amending Directive 95/16/EC (recast).

The following standards were used to determine compliance with EC Directives 2000/14 and 2006/42:

- EN 418: 1992Emergency stop equipment
- EN 791: 1995Drill Rigs – Safety
- EN 982: 1996Safety of machinery – Safety requirements for fluid power systems and their components – Hydraulics
- IEC 60204-1: 2005.....Safety of machinery – Electrical equipment of machines
- IEC 60947-5-1: 2003.....Control circuit devices and switching elements – Electromechanical control circuit devices
- ISO 3744: 1994(E).....Acoustics – Determination of sound power levels of noise sources using sound pressure – Engineering method in an essentially free field over a reflecting plane
- ISO 11201: 1995Acoustics – Noise emitted by machinery and equipment – Measurement of emission sound pressure levels at a work station and at other specified positions – Engineering method in an essentially free field over a reflecting plane
- ISO 13849-1: 2006Safety of machinery – Safety-related parts of control systems – Part 1: General principles for design
- ISO 13849-2: 2003Safety of machinery – Safety-related parts of control systems – Part2: Validation

As required by Directive 2000/14/EC, the measured sound power level and guaranteed sound power level for the Geoprobe® Model 7822DT machine are reported below. These levels were determined in accordance with noise emission standard ISO 3744:1994(E) under operating conditions specified in EN 791: 1995 as directed by Annex III, Part B, item 17 of Directive 2000/14/EC.

Sound power levels for the Geoprobe® Model 7822DT machine

Measured Sound Power Level⁽¹⁾: $L_{WA} = 118$ dB

Guaranteed Sound Power Level⁽²⁾: $L_{WA} = 123$ dB

⁽¹⁾ Maximum level measured with engine at full rpm and hammer operating

⁽²⁾ Using an A-weighted standard deviation of 1.5 dB, the guaranteed sound power level is reported with 99.7% confidence

The technical documentation required by Directives 2000/14/EC and 2006/42/EC is maintained by Troy M. Bourbon at the corporate headquarters of Geoprobe Systems®, 1835 Wall Street, Salina, Kansas 67401, USA.